

REVVO

TECHNICA



● CLARITY ● ACCURATE ● PRECISION ● PERFORMANCE

REV₂ SERIES RACING METERS

REV₂ 52mm meter

Revo Technica's REV2 52mm (2 1/16") Precision Meters dial in accurate data output from your engine allowing the driver to monitor any changes in the health of the vehicle. Powder coated black body with aluminized rim is one of Revo's REV2 signature attributes. These meters also feature LED backlit interface with our even distribution of luminous technology and race colored amber needles. Each meter comes with a single mounting bracket and all necessary hardware to install.

AIR FUEL RATIO
REV2-AF



VOLT METER
REV2-V



WATER TEMP
REV2-WT



ALL REV₂ 52mm (2 1/16") METERS
AVAILABLE IN WHITE OR BLUE LED.

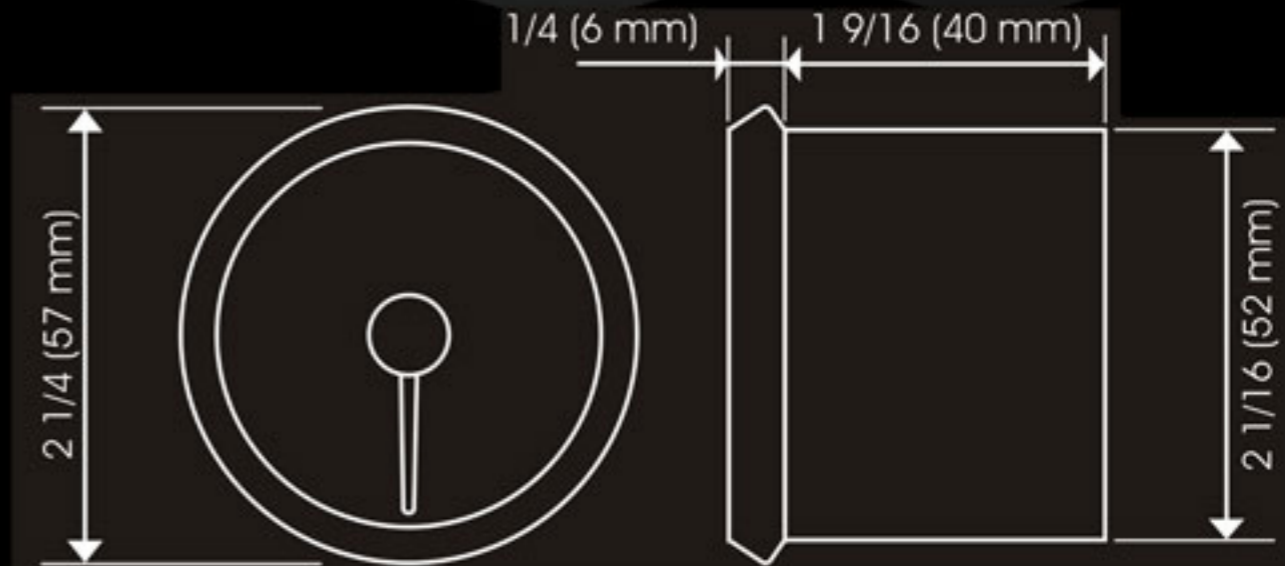
OIL TEMP
REV2-OT



TURBO BOOST
REV2-TB



OIL PRESSURE
REV2-OP



REV₂ 95mm TACH 4.1



Revo introduces its REV2 series 95mm 4.1 Tachometers into the automotive industry. This tachometer features four functions compressed into one meter with a compact design and stylish appearance. Revo's 4.1 Tach integrates oil pressure, oil temperature, voltage, and RPM all into a sophisticated chronographic structure backlit by LEDs with a switchable 7 color function. Revo's REV2 4.1 Tachometer can be used in conjunction with the included external shift light or used independently with the internal shift light. Each meter comes with a mounting bracket and all necessary hardware to install.

7 Colors Interchangeable



REV₂ 95mm TACH 4.1

OIL TEMPERATURE ▶

OIL PRESSURE ▶

VOLT METER ▶

R.P.M ▶

